

i-ALERT[®] Pressure sensor

Sensor | App | Ai Platform



Description

- Industry first Bluetooth[®] certified compact wireless pressure transducer with long battery life makes a perfect fit for many industrial applications. Providing the ability to monitor fluid conditions and gather operating data to help identify and troubleshoot undesirable operating conditions 24 hours/day, 7 days/week.
- Download the free i-ALERT app, install the transducer and wirelessly connect - no confusing wiring to figure out. Ideal for pump applications or anywhere you need to monitor pressure or temperature without the need of wires.



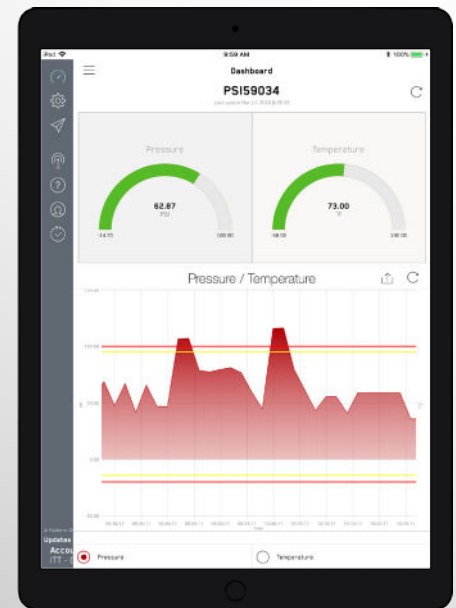
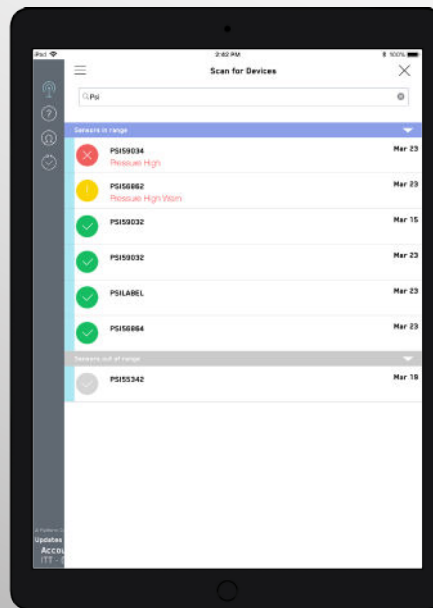
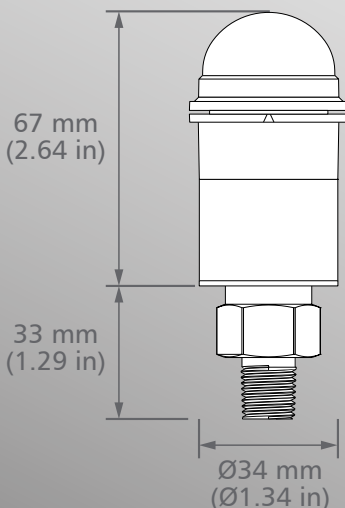
Features

Hardware:

- Maximum pressure range: 100 & 250 psi (standard) 50-10,000 psi (custom)
- Operating Temperatures: -40° to 85° C (-40° to 185° F)
- Measures vacuum (-14.7 psi) for suction side monitoring
- 1% Standard accuracy
- High quality 17-4 stainless steel and high impact polycarbonate construction
- Standard 1/4" NPT pressure connection
- Replaceable battery
- Available in: USA / Canada. EU (pending).

Software:

- Connects to smart phones and tablets with the i-ALERT app
- Customizable alarm set points
- Secure field programmable naming
- Configurable data acquisition 1-60 minutes
- Data log (300 days of storage)



iPad / Android